

Triple stage whole house filtration system

Temple Assisted Crystallization (TAC) technology (salt free)

Hardness, chlorine/chloramine

Why are people filtering out *hardness* and *chlorine* from their water?

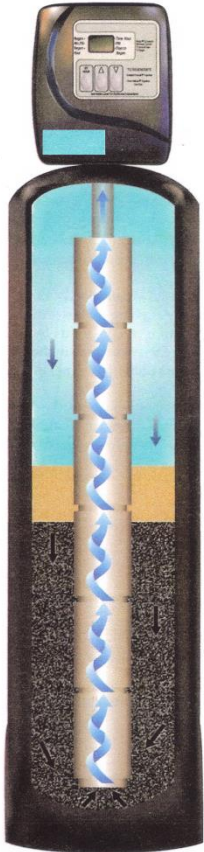
Water is hard when it contains minerals like magnesium and calcium. You may see staining on your sinks, tubs, showers, and clothing. You may also notice less lather from your shampoos and soaps and even a feeling of film on your skin. Hard water causes a higher risk of lime scale deposits in household water systems. Due to this lime scale build-up, pipes are blocked and the efficiency of hot boilers and tanks is reduced.

The TAC nano ceramic technology is the most innovative advancement in water treatment in the last quarter century. It does not add nor remove anything from the water. It leaves the water in its own natural state with all the benefits of naturally soft water.

Unlike salt conditioned water, TAC conditioned water meets WHO (World Health Organization) guidelines on calcium and magnesium content in drinking water.

The "classical" ion exchange resin technology is over 60 years old and works on a different principal. In ion exchange softeners for each calcium and magnesium ion removed (the hardness minerals) two sodium ions are added to the water which can have adverse effects to humans, environment, plant life, septic fields etc.

In many parts of the world as well in US there are outright bans and or pending legislation to stop salt discharge into municipal sewers. Imagine the kind of problem a sewer treatment plant will have with hundreds or thousands softeners discharging salt brine down the drain. Salt brine interferes with the bacteria inhibiting capabilities in degradation of the raw sewage.



Benefits of soft water:

- Keeps skin and hair healthy looking
- Dishes are cleaner, with less soap and hard water spotting
- Tubs, showers, and sinks are easier to clean, thanks to reduced hard water build-up
- Clothes are softer, cleaner, brighter, and last longer
- Keeps all fixtures from scaling and corrosion
- Saves time, money and energy
- Towels washed in water softened by TAC softening technology need **40% less Detergent** and come out 50% whiter.

Benefits of chlorine free water:

Chlorine is a known poison and the safety of drinking this poison over a long term period is highly responsible for cancer. When you shower or bathe in chlorinated water, the pores of your skin open up and absorb the chlorinated water like a sponge. Also, Chlorine-filled Steam enters your lungs. People can actually receive more exposure to chlorine during a shower than by drinking the same water. Chlorinated Shower Water also causes or worsens skin irritations and rashes, dries the skin, can irritate eyes leaving them red, itchy and burning, and inhaling the steam can aggravate the sinuses and lungs as well.

This system is designed for a house up to 4 bathrooms or 5,200 SF, or up to 1-1/2" main water pipe size. The price includes in-house water analysis, 10 year warranty on electronic automatic valve, 5 year warranty on system performance, and 10 year warranty on pressure tanks.

Manufactured and assembled in USA by



eco waterhouse technologies

Clean water solutions since 1991

(949) 485-8652

www.ecowaterhouse.com



Triple stage (double tank) whole house filtration system

Salt base-ion exchange

Hardness, chlorine/chloramine

Why are people filtering out *hardness* and *chlorine* from their water?

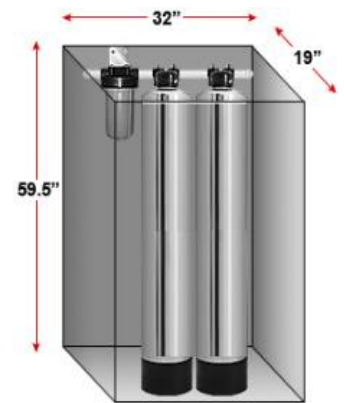


Water is hard when it contains minerals like magnesium and calcium. You may see staining on your sinks, tubs, showers, and clothing. You may also notice less lather from your shampoos and soaps and even a feeling of film on your skin. Hard water causes a higher risk of lime scale deposits in household water systems. Due to this lime scale build-up, pipes are blocked and the efficiency of hot boilers and tanks is reduced. Water is softened or conditioned by replacing hard ions like magnesium and calcium with softer sodium or potassium ions. On-Demand initiated softeners regenerate automatically using on board computer, and only when it sense softening capacity is low. It will use up to 50% less water.

All system components are the highest quality in the industry and NSF approved. Du to patented Vortex Technology system performance is greater than any other water softener on the market today.

Benefits of soft water:

- Keeps skin and hair healthy looking
- Dishes are cleaner, with less soap and hard water spotting
- Tubs, showers, and sinks are easier to clean, thanks to reduced hard water build-up
- Clothes are softer, cleaner, brighter, and last longer
- Keeps all fixtures from scaling and corrosion
- Saves time, money and energy
- Towels washed in water softened by Eco Waterhouse Technologies softeners need **50% less Detergent** and come out 45% whiter.



Benefits of chlorine/chloramine free water:

Chlorine is a known poison and the safety of drinking this poison over a long term period is highly responsible for cancer. When you shower or bathe in chlorinated water, the pores of your skin open up and absorb the chlorinated water like a sponge. Also, Chlorine-filled Steam enters your lungs. People can actually receive more exposure to chlorine during a shower than by drinking the same water. Chlorinated Shower Water also causes or worsens skin irritations and rashes, dries the skin, can irritate eyes leaving them red, itchy and burning, and inhaling the steam can aggravate the sinuses and lungs as well.

This system is designed for a house up to 4 bathrooms or 5,200 SF, or up to 1-1/2" main water pipe size. The price includes in-house water analysis, 10 year warranty on electronic automatic valve, 5 year warranty on system performance, and 10 year warranty on pressure tanks.

Manufactured and assembled in USA by



Clean water solutions since 1991

(949) 485-8652

www.ecowaterhouse.com

